

HOME SELF INSPECTIONS OF SMOKE ALARMS

The Fire Safety Cover Plan of the MRC Pontiac which was adopted by the Municipality of Bristol requires that all buildings be inspected by the Fire Safety Service to verify that the smoke alarms of the buildings are:

- ✓ Located in the proper place. There must be one alarm per floor;
- ✓ In working order;
- ✓ Not expired. A smoke alarm has an expiration date of 10 years after its date of manufacture.

Due to COVID-19, the fire department has been unable to complete any inspections. Therefore, we request that you fill out the information contained in this document and return the form to the municipality by e-mail at: info@bristolmunicipality.qc.ca.

Name (Print) _____

Civic Address in Bristol _____

Day Time Phone Number _____

Signature _____

1. Do you have a smoke alarm for every floor in your dwelling? _____
2. Have you verified your smoke alarms in the last six months? _____
3. Are your smoke alarms older than 10 years? _____

Fire Prevention Tips

Smoke alarms

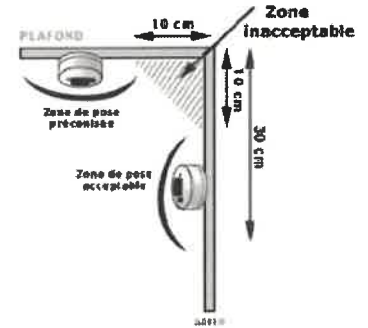
The smoke alarm is the best way to save lives. This is why the MRC Pontiac adopted By-Law # 173-2011 on October 25th, 2011, providing for fire protection on the territory of the MRC Pontiac. This by-law specifies that all residents must have at least one smoke detector (battery or electric powered) on each floor of their residence including the basement and the attic if habitable.

The smoke alarms must be installed either:

- On a wall at a distance between 4 in. and 12 in. from the ceiling;
- On the ceiling at a distance of 4 in. from the wall.

Remember to change the battery at least once a year or when a warning sound is heard. Smoke alarms have a 10 year lifetime.

We strongly urge you to consult the by-law via the website of the MRC at www.mrcpontiac.qc.ca, under *MRC Services* and then *Public Security*.



Carbon monoxide alarms

Carbon monoxide (CO) is a product of incomplete combustion of wood or natural gas. Smoke alarms do not detect (CO). This is why we recommend that you install a CO alarm in your house following the manufacturer's recommendations.